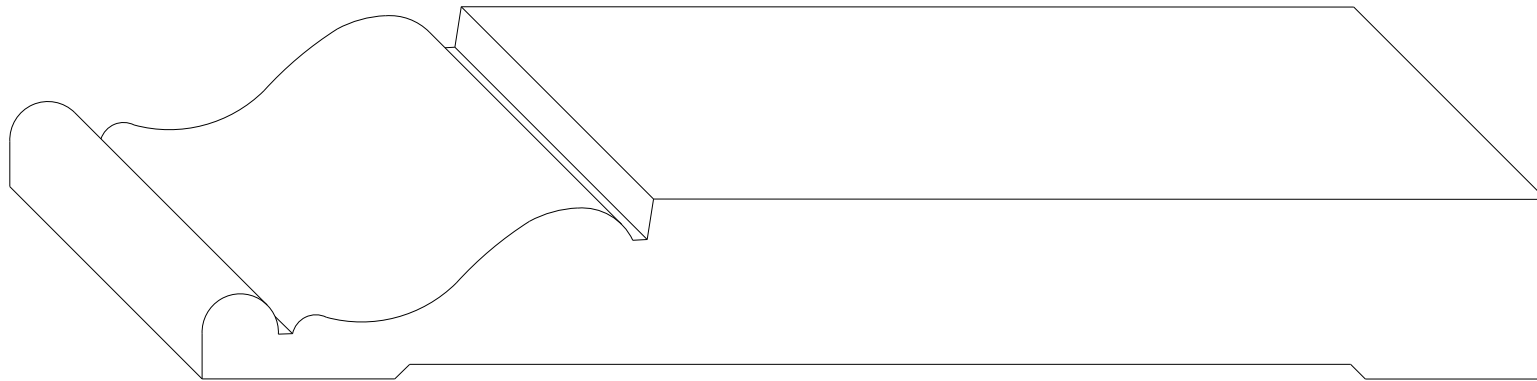


BASE PROFILE



Category:	Profile #:	Dimensions:	Specie:	Revised:
BASE	HHH 1602	15/16" x 7"		
Customer:	Approval Signature:		Notes:	