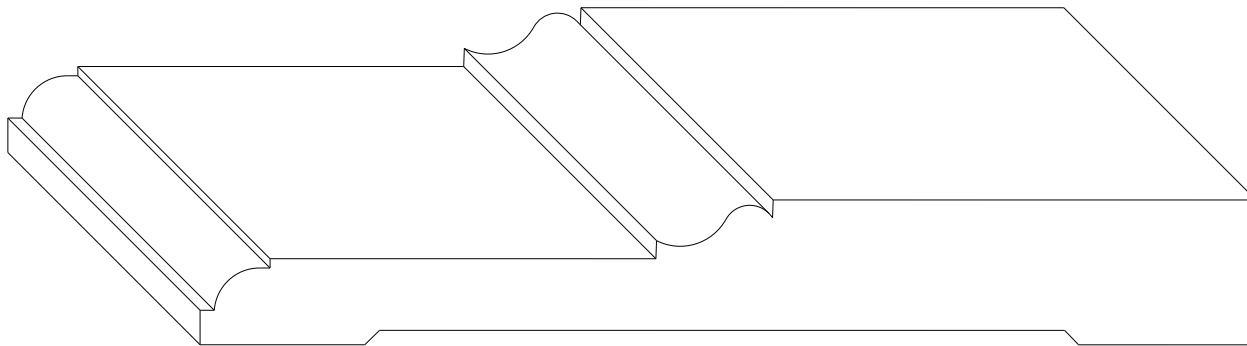


# BASE PROFILE



Category:	Profile #:	Dimensions:	Specie:	Revised:
BASE	HHH 1520	3/4" x 5 1/2"		
Customer:	Approval Signature:		Notes:	