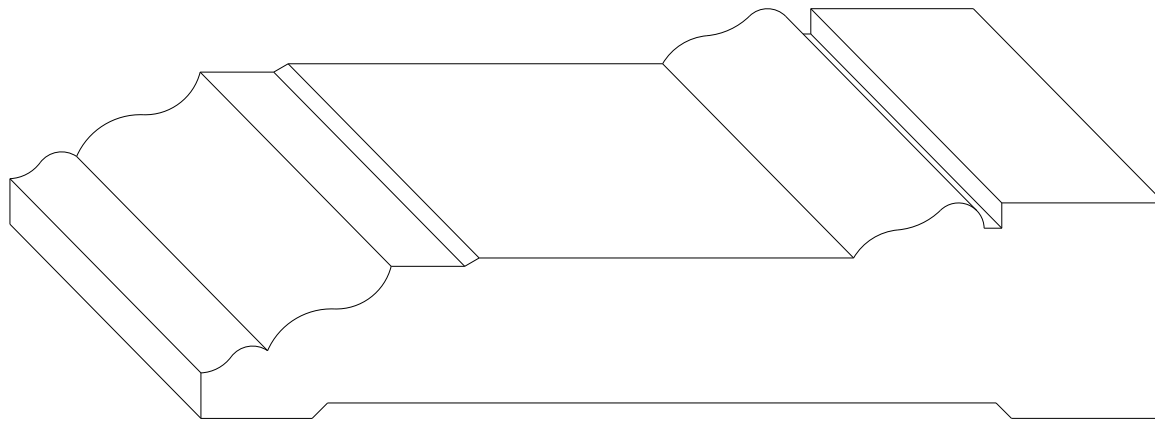


BASE PROFILE



Category:	Profile #:	Dimensions:	Specie:	Revised:
BASE	HHH 1410	1" x 5"		
Customer:	Approval Signature:		Notes:	